

# ONDA 800 - 801

Gear motor for sliding gates.  
Condominium use up to 500 kg,  
residential use up to 800 kg.



■ Anti-crush safety is ensured by a mechanical clutch on the **ONDA 800**.

On the **ONDA 801** anti-crush safety is provided by the electronic control unit with built-in electronic torque control and provision for connecting an auto-reverse card to reverse gate direction in case of obstacles while closing.

■ **Maximum reliability** thanks to the steel gears in permanent lubrication.  
Maximum safety thanks to the electrical torque adjustment function.

■ **The gear motor is irreversible** and therefore keeps the gate locked.  
The use of other lock systems is therefore eliminated.

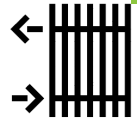
■ **Manual key** release in the event of mains power supply failure.

■ **Z20 Pinion** is available for the application that need of faster operations speed.

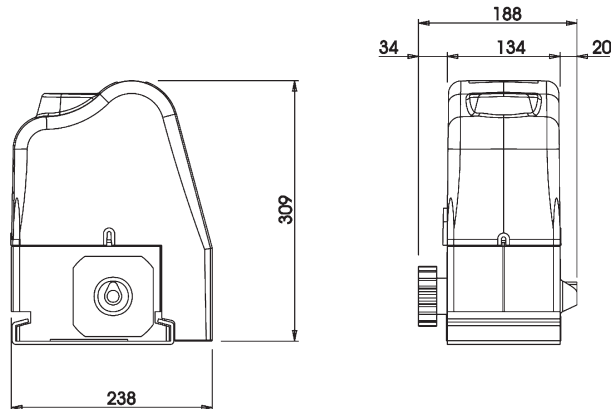
## TECHNICAL DATA

POWER SUPPLY	230 V - 50/60 Hz
ABSORBED POWER	260 W
ABSORBED CURRENT	1.6 A
MAX. THRUST FORCE	1250 N (Z16) 1000 N (Z20)
LINEAR SPEED	1250 N (Z16) 1000 N (Z20)
OPERATING TEMPERATURE	-20°C to +70°C
MAX. GATE WEIGHT	800 kg (Z16) 500 kg (Z20)
OVERLOAD TEMPERATURE	90° C
HEIGHT OF PINION FROM GROUND	70 mm
WEIGHT	10 kg
MAX. NO. CYCLES	100 cycles/day
LUBRIFICANT TYPE	AprimGREASE Vc 84
PROTECTION CLASS	IP 44

# ONDA 800 - 801



## OPERATOR DIMENSIONS



DESCRIPTION	Max. gate width	CODE
ONDA 800 Z 16 Gear motor with mechanical clutch	500 kg residential use 300 kg condominium use	41127/009
ONDA 801 Z 16 Gear motor with electronic torque control		41127/001
ONDA 801 E Z 16 Gear motor with built in T2E control unit and radio receiver with electronic torque control		41127/003
ONDA 801 E Z 16 SET Gear motor with built in T2E control unit with electronic torque control	500 kg residential use 300 kg condominium use	41127/007
ONDA 800 E Z 16 SET Gear motor with built-in T2E control unit with mechanical clutch		41127/011

DESCRIPTION OF OPTIONAL ACCESSORIES	CODE
PF 501/801 - Foundation plate (pack of 4 pcs)	41126/051
Unico 433,92 MHz Memory System radio receiver with antenna included	41923/009
TR2 - 433.92 MHz twin-channel transmitter	41903/002
ER4N - Pair of photocells	41812/001
PC12E - Key switch for wall mounting	41830/007
CAL - Aluminium column for the ER4N photocells	41812/050
433,92 MHz antenna	41929/001
Straight safety edge 1,5 m	41850/002
Straight safety edge 2,0 m	41850/003
Straight safety edge 3,0 m	41850/004
SB 500/800 Personalised release key	41126/050
Aprimatic galvanized rack pitch 4 complete with couplings (5 m)	41180/053
ARC - Auto Reverse Card	41127/020

IDEAL INSTALLATION	Q.ty	CODE
ONDA 801 E Z 16 Gear motor with built-in T2E control unit with electronic torque control	1	41127/007
ER4N - Pair of photocells	1	41812/001
One TR2 - 433,92 MHz twin-channel transmitter	1	41903/002
Unico 433,92 MHz Memory System radio receiver with antenna included	1	41923/009
ET20N - 230V flashing light	1	41841/009
Aprimatic plastic rack with 5 metre steel core for use of up to a maximum of 500 kg	1	41180/052

NOTE: the lower gate wheels must not be too small for the weight of the structure (the minimum diameter of the wheels is 120 mm).

NOTE: for control and safety devices and installation accessories, see section "Electronic devices and installation accessories" in this catalogue (consult the index).